



Insulated Terminals Teflon[®]

*Teflon is a registered trademark of Dupont

Turret Other

Refer to Figure 1431

Part No.	Board Thick	Mounting Hole Dia. +.000 -.005	Thread	W	X	Y	Z	DWV
1431	.094	.193	10-32	.250	.270	.420	N/A	2100

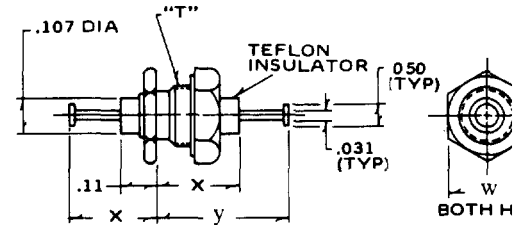


Fig. 1431

Part No.	Board Thick	Mounting Hole Dia. +.000 -.005	Thread	W	X	Y	Z	DWV
1432	.062	.195	N/A	.260	.430	.348	N/A	1300

Please Refer to Figure 1432

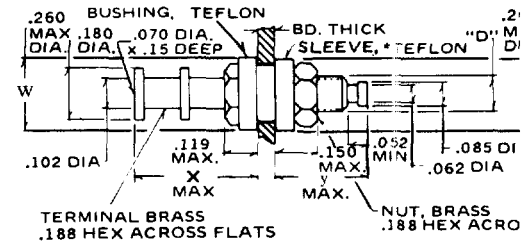


Fig. 1432

Part No.	Board Thick	Mounting Hole Dia. +.000 -.005	Thread	W	X	Y	Z	DWV
1436	.250	.386	3/8-32	.500	N/A	.484	.768	2100

Please Refer to Figure 1436

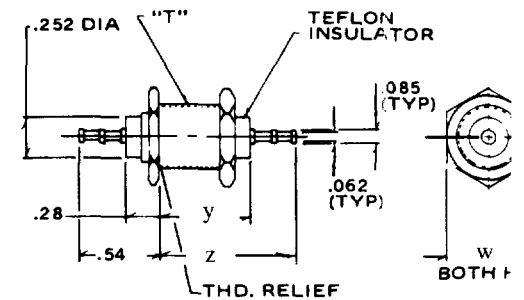


Fig. 1436

Standard Plating Suffix to Part Number

See Page 93 for all plating options.

Terminal	or	Base
-7 (Au over Cu)		-5 (Sn over Cu)
-4 (Sb over Cu)		-5 (Sn over Cu)

TOLERANCE: .xxx ±.010, .xx ±.016 (ALL DIMS. BEFORE PLATING)